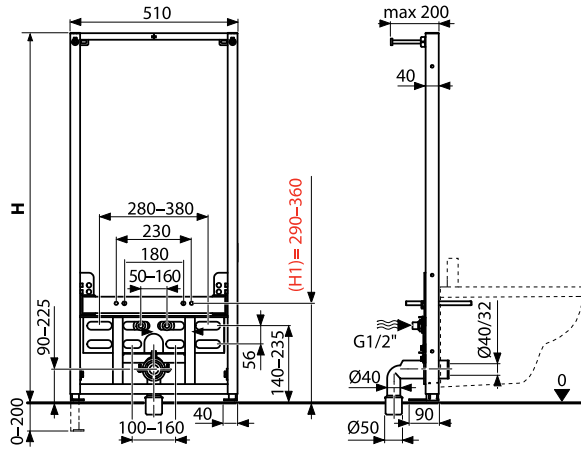


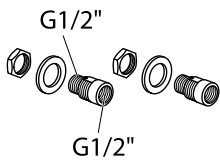
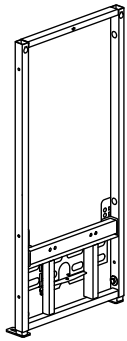
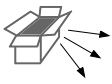


A105/450 ■ A105/850 ■ A105/1000 ■ A105/1120

	H
A105/450	450
A105/850	850
A105/1000	1000
A105/1120	1120



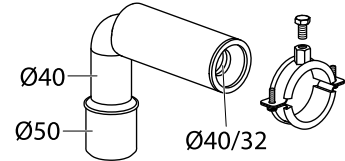
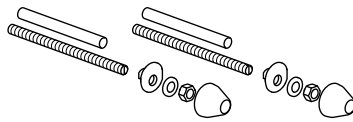
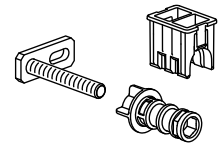
[mm]



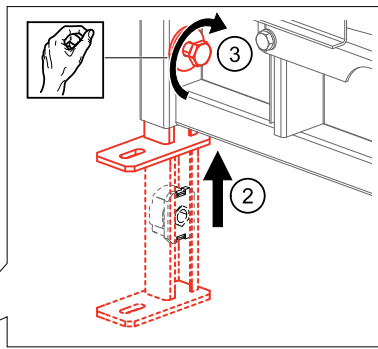
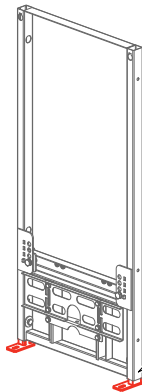
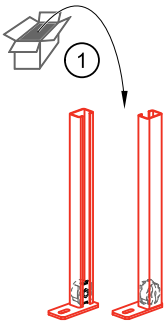
2x



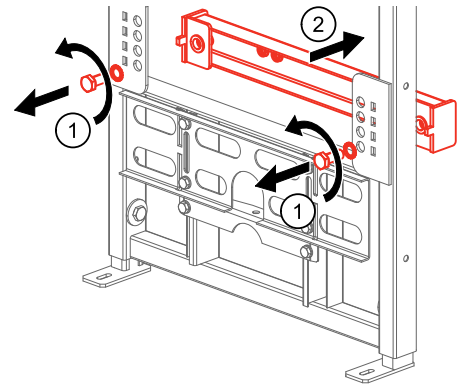
2x



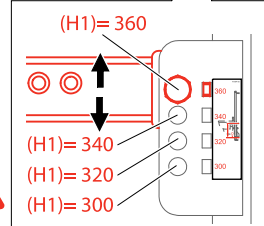
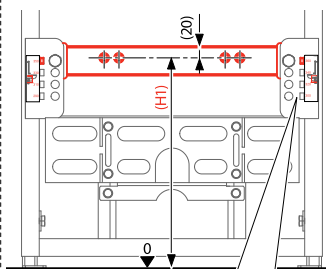
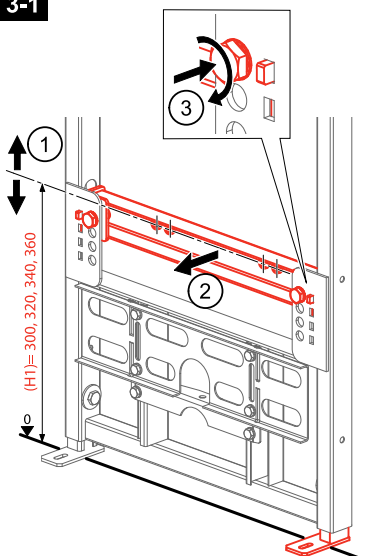
1



2

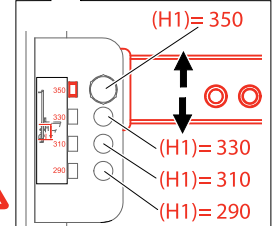
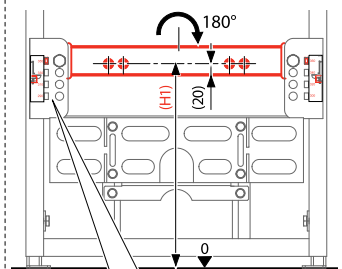
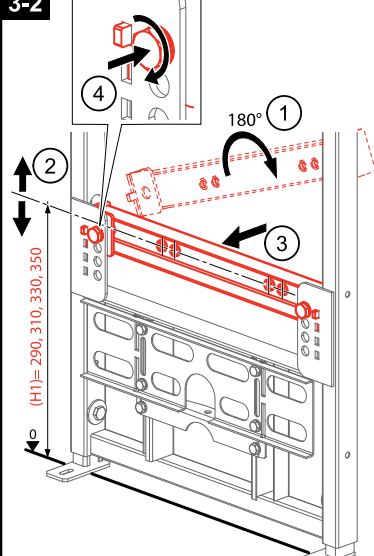


3-1



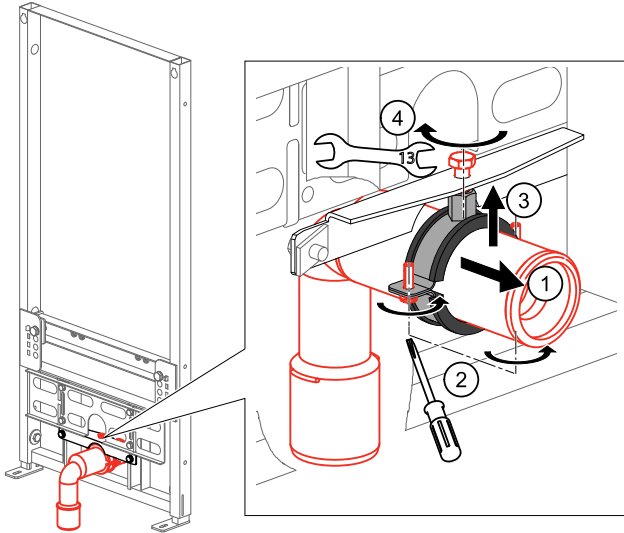
(H1) = 300, 320, 340, 360

3-2

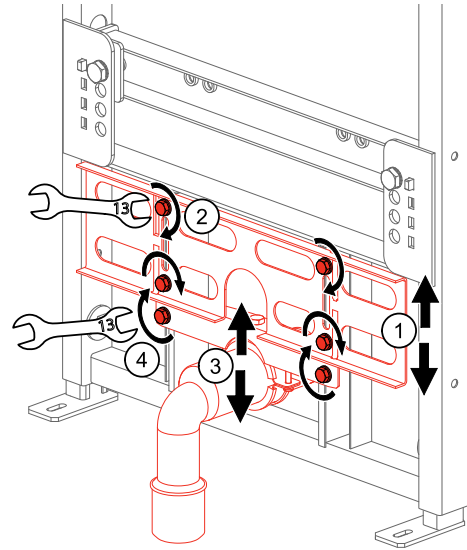


(H1) = 290, 310, 330, 350

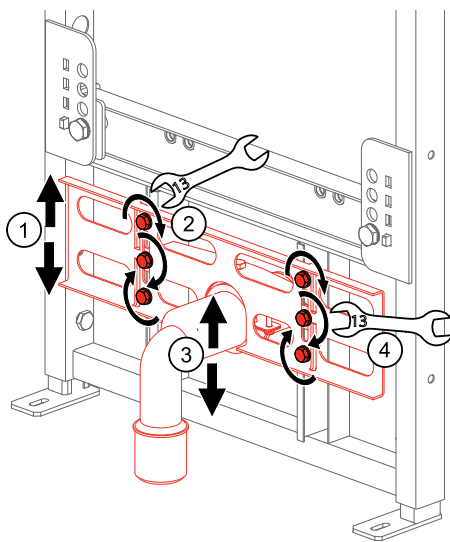
4



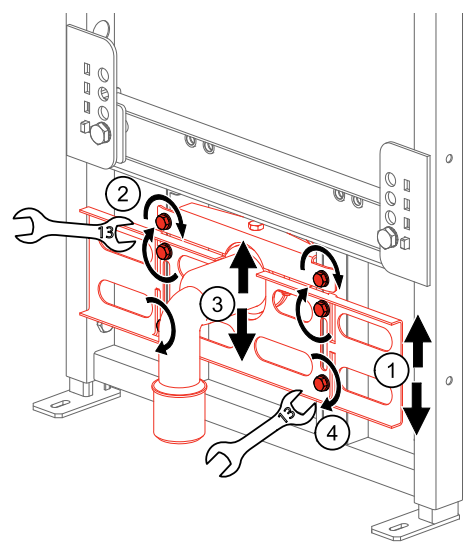
4-1



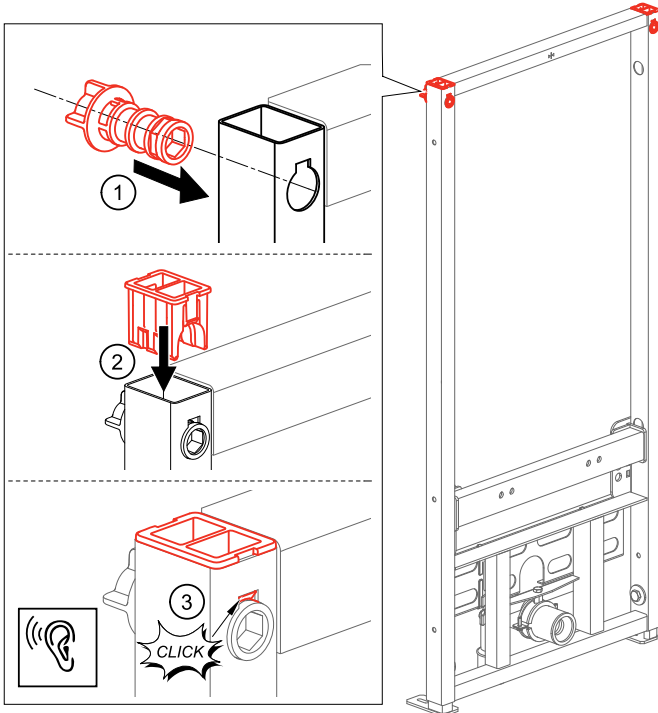
4-2



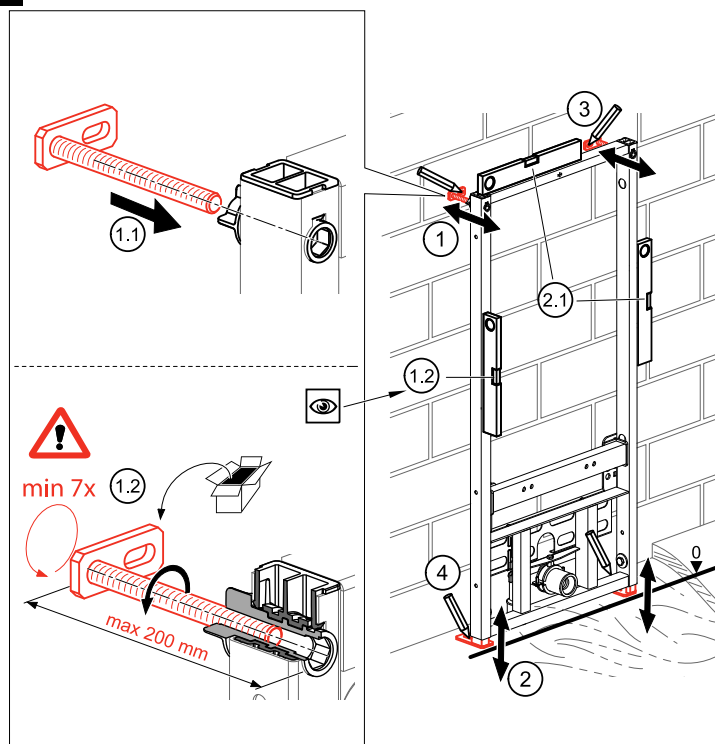
4-3



5

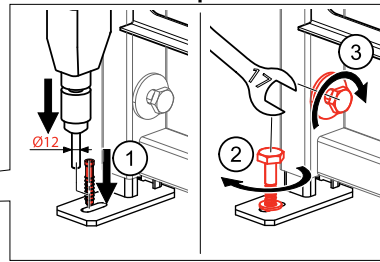
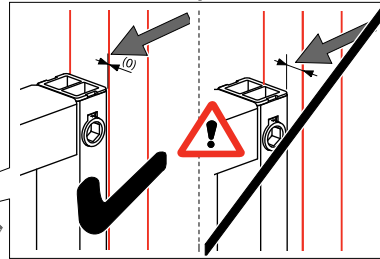
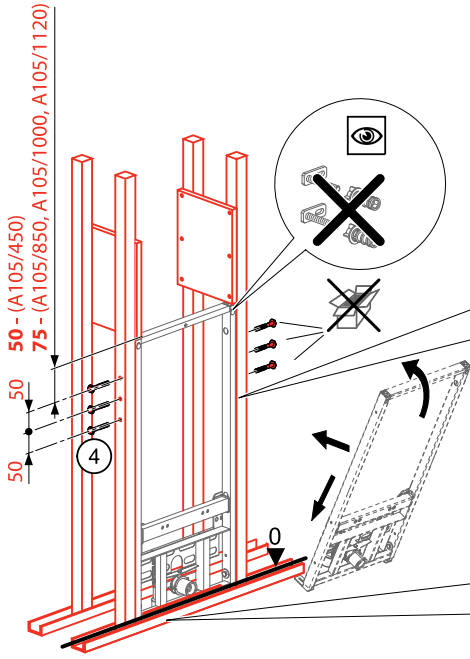


6



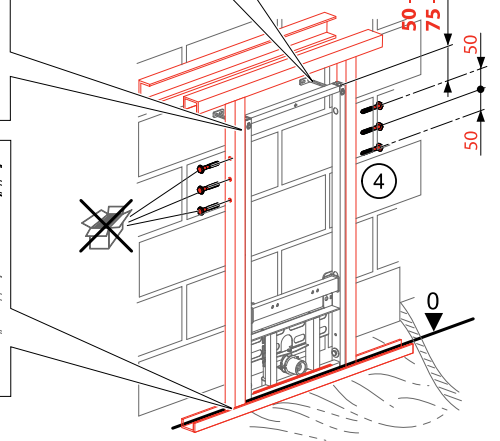
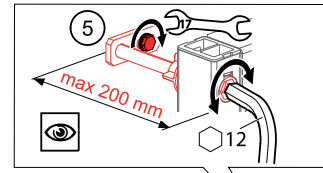
6-1

[mm]

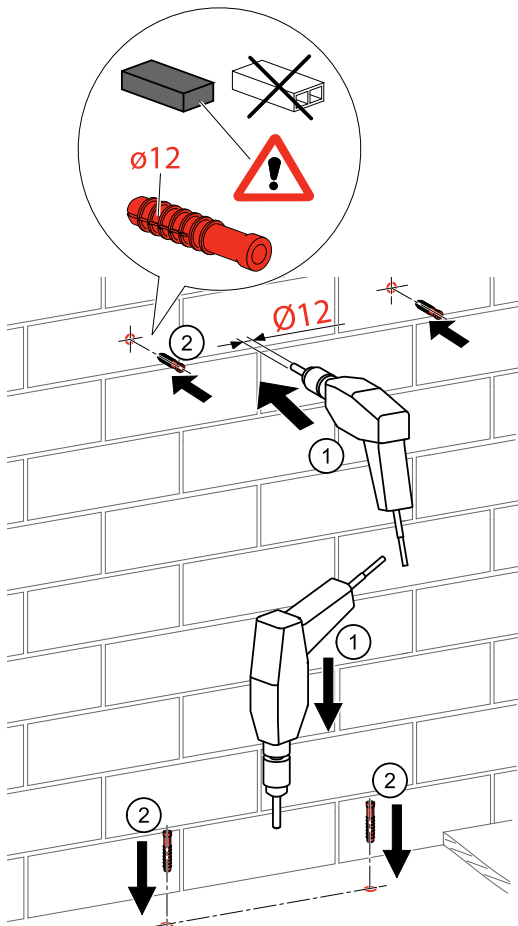


6-2

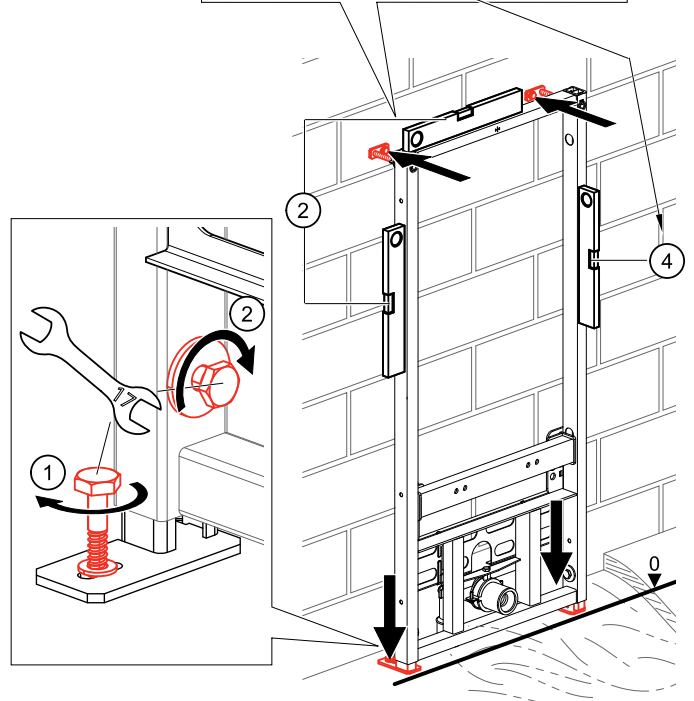
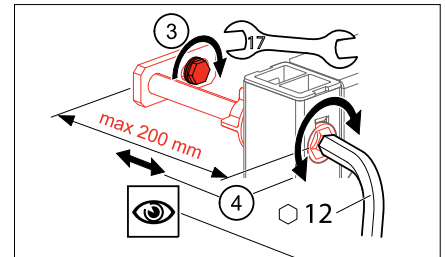
[mm]



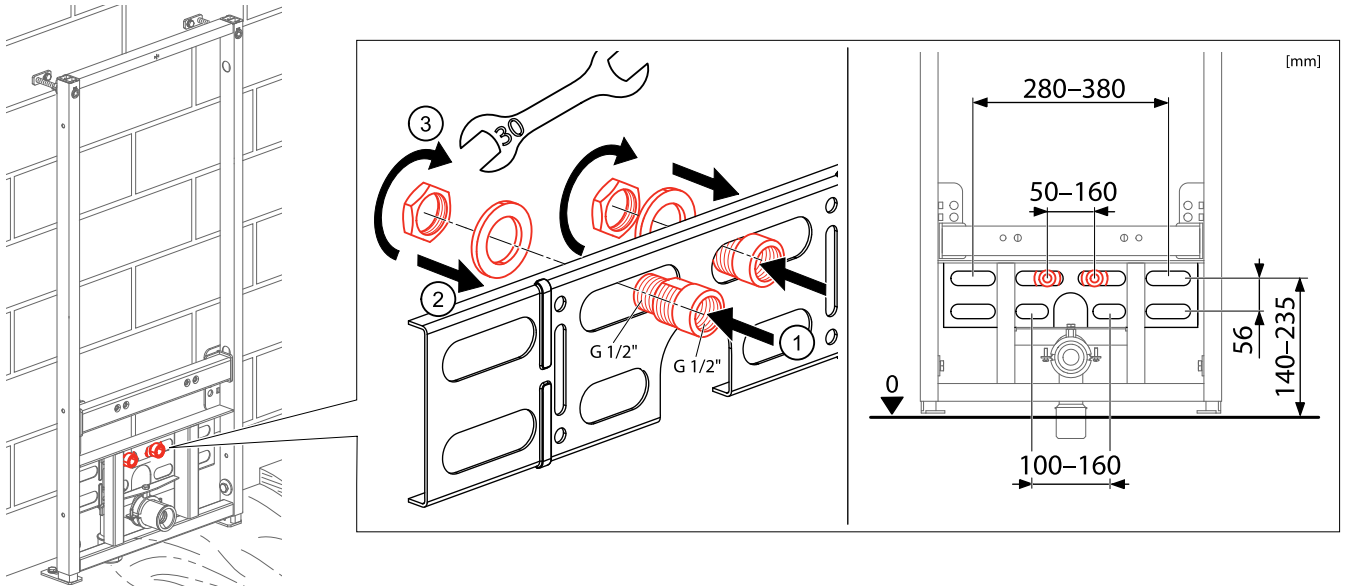
7



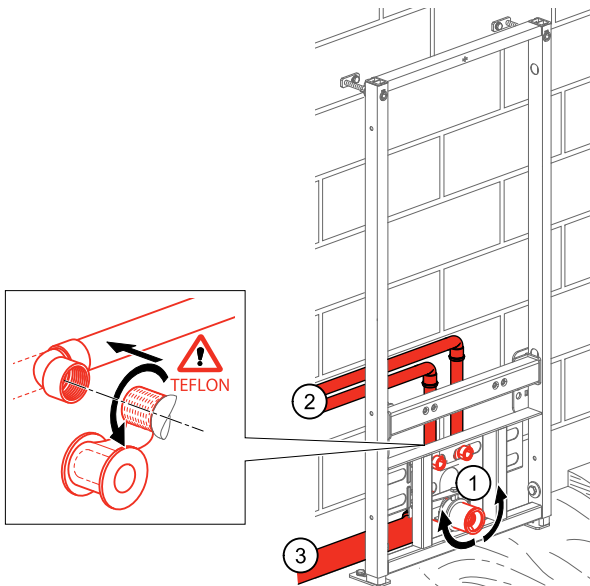
8



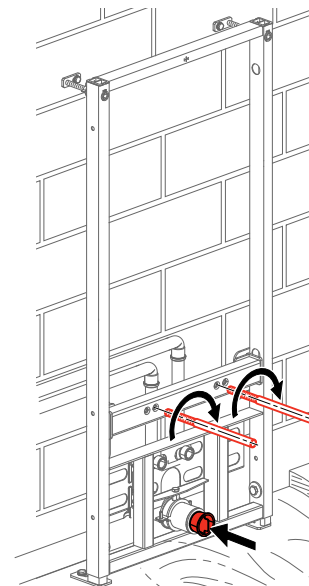
9



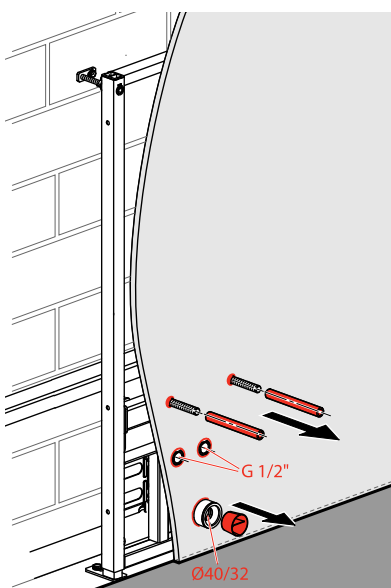
10



11



12



13

